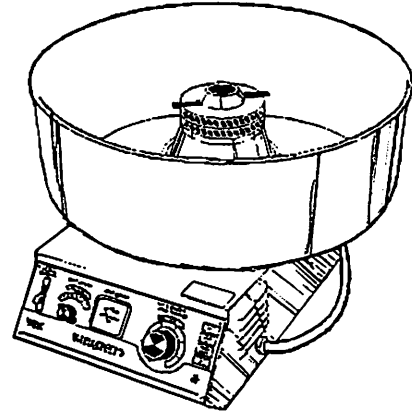


COTTON CANDY MACHINE



This "fun food machine" can be one of the main attractions at school carnivals, birthday parties or any other function for young and "young at heart".

PLEASE READ THE FOLLOWING INFORMATION CAREFULLY BEFORE USE AND FOLLOW ALL INSTRUCTIONS FOR PROPER, TROUBLE-FREE OPERATION

Only personnel trained and experienced in the equipment operation, may operate this equipment.

!WARNING!

Keep foreign objects out of the head.
Floss head rotates at 3450 RPM. Operator must keep hands and face clear of floss head and keep spectators at a reasonable distance. For safety, always use a floss bubble.

TO START OPERATING

1. **Loosen the knobs** on both side of the machine, which was tightened for transporting purposes.
2. Plug in Floss Machine
3. With Main switch still OFF, fill floss head. Always fill it 90% full with sugar. This 90% level is necessary to obtain a balanced condition in the floss head. **DO NOT OVERFILL!** Excessive vibration will occur if overfilled. Before turning power on, manually spin the head to balance out the sugar. This will eliminate excessive vibration of the head. Important: **NEVER add sugar when motor is running.**
4. Turn MAIN SWITCH and HEAT SWITH "ON".
Turn heat control knob clockwise to maximum setting to initiate the fastest possible warm up.
5. The machine should start making floss in a few seconds. When the unit reaches proper heat, it may start to smoke. Turn the heat control knob counter clockwise to eliminate smoking.

!Caution!

Never operate equipment for a prolonged period of time with the HEAT CONTROL in a position that causes the sugar to smoke. This will result in excessive carbonization of the ribbon (heat element). If you smell burning sugar or see smoke, reduce the heat.

6. Once you find the ideal setting for the Heat Control, operate the setting near this position each time.

YOU ARE NOW READY TO MAKE COTTON CANDY "FLOSS". READ THE FLOSS MAKING INSTRUCTIONS ON THE REVERSE OF THE SHEET, AND PLAN ON BEING THE CENTER OF ATTRACTION AT YOUR PARTY!!!

If problems occur during use, please call **GNS Party Rentals** at 416-288-1977
REMEMBER, you are renting this equipment. Be sure to understand your rental contract and be familiar with all charges for any damage or additional cleaning.

Do not immerse the Equipment in water. Never allow water to enter the floss head.



MAKING FLOSS

Pick a cone; if it sticks in the stack of cones, twist it off the stack.

Hold an inch or two of the pointed end of the cone between two fingers and a thumb. With a light flicking action, roll cone in the web of floss building up in the pan. Lift the cone up with the ring of floss attached and rotate the cone to wrap the floss. **DO NOT** roll floss while the cone is inside the pan. This will pack the floss too tightly.

If the floss sticks to the cone, pass the cone near the spinner head to pick up a "starter" of melted sugar. Lift the cone out of the pan and wrap the floss with a figure eight movement of the hand. This leaves giant pockets and makes the final product appear larger.

Make sure room humidity is not too high, or product will be too firm.

